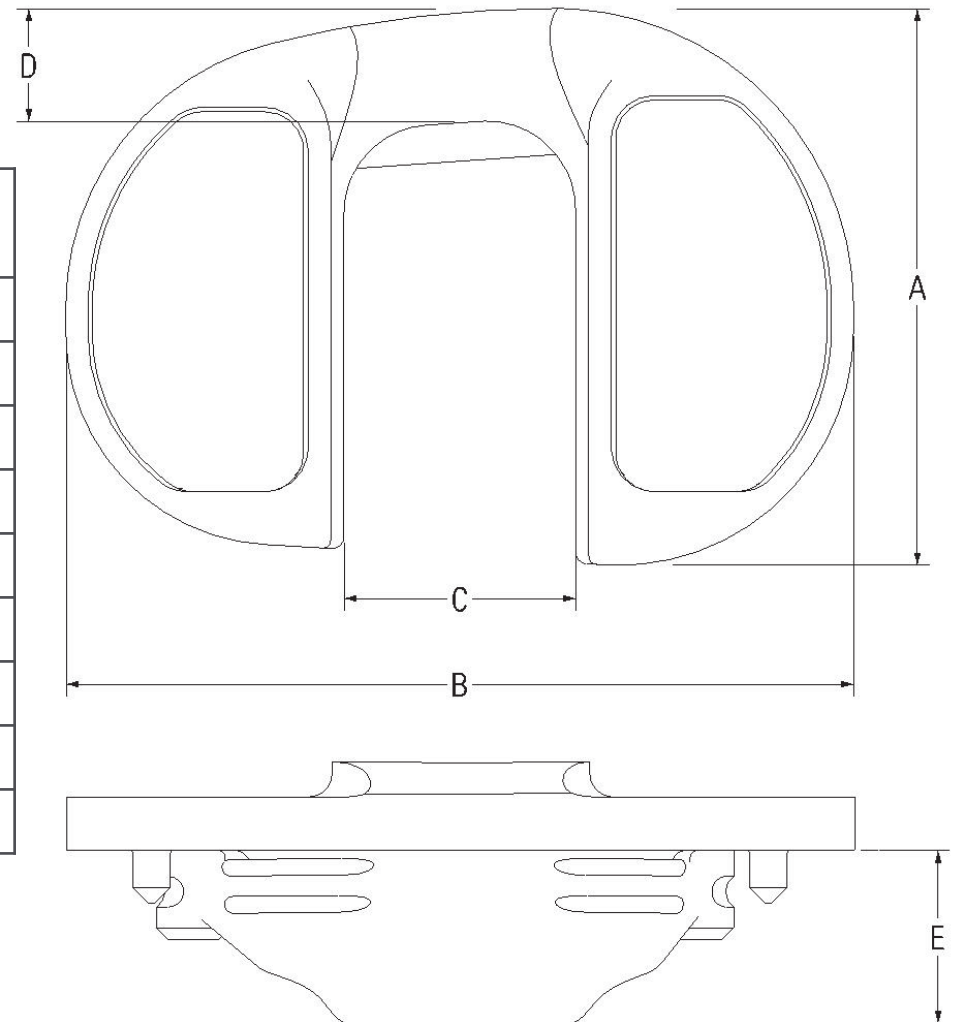


# XR baseplate dimensions



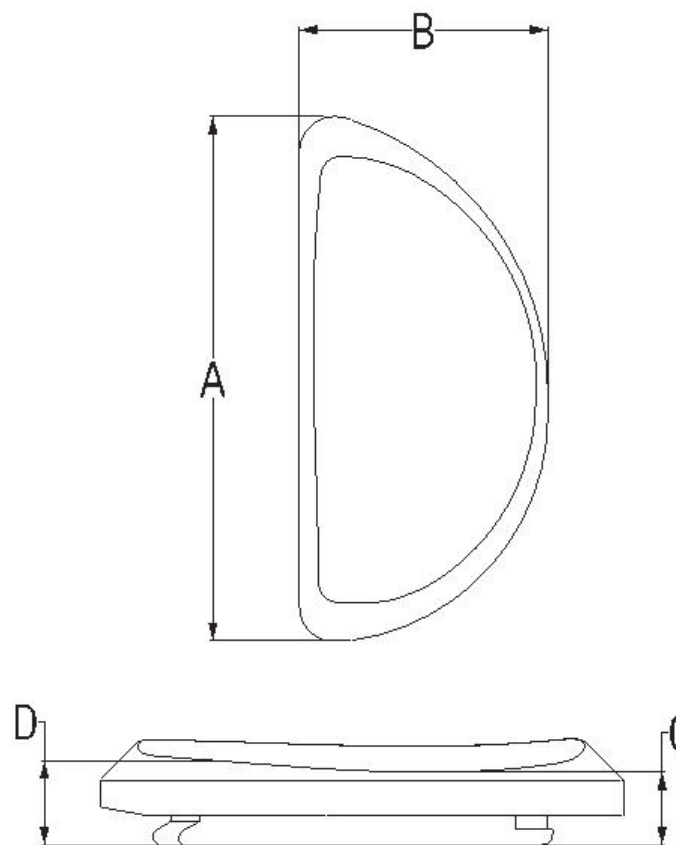
	Anterior Posterior	Medial Lateral	Cruciate Notch	Anterior Bridge	Keel Depth
Size	A	B	C	D	E
1	42	60	20	9.5	15
2	45	64	20	9.5	15
3	48	68	20	9.5	15
4	50	71	20	9.5	15
5	52	74	20	9.5	17
6	54	77	20	9.5	17
7	56	81	20	9.5	17
8	59	85	20	9.5	17



# XR insert dimensions



		Medial Insert			
		Anterior Posterior	Medial Lateral	Thickness @ sagittal low point	Thickness @ posterior point
Size	Slope	A	B	C	D
1-2	0	40	18	6.5	7.4
1-2	-2	40	18	7.0	8.6
3-4	0	47	22	6.5	7.5
3-4	-2	47	22	7.1	8.8
5-6	0	51	25	6.5	7.6
5-6	-2	51	25	7.2	9.0
7-8	0	56	29	6.5	7.7
7-8	-2	56	29	7.3	9.1

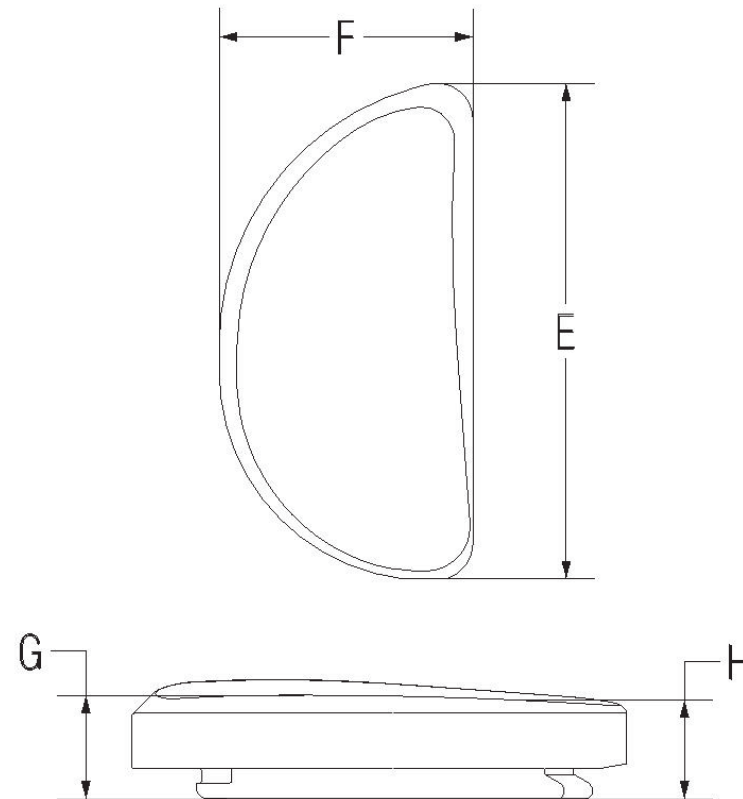


Baseplate thickness – 2.1mm

# XR insert dimensions



Lateral Insert					
		Anterior Posterior	Medial Lateral	Thickness @ sagittal high point	Thickness @ posterior point
Size	Slope	E	F	G	H
1-2	0	37	18	9.0	8.7
1-2	-2	37	18	9.6	9.8
3-4	0	43	22	9.0	8.6
3-4	-2	43	22	9.7	9.9
5-6	0	47	25	9.0	8.6
5-6	-2	47	25	9.7	9.9
7-8	0	51	29	9.0	8.6
7-8	-2	51	29	9.8	10.0



Baseplate thickness – 2.1mm